

USR-TCP232-204 Serial to Ethernet Device Server

USR-TCP232-204 Introduction

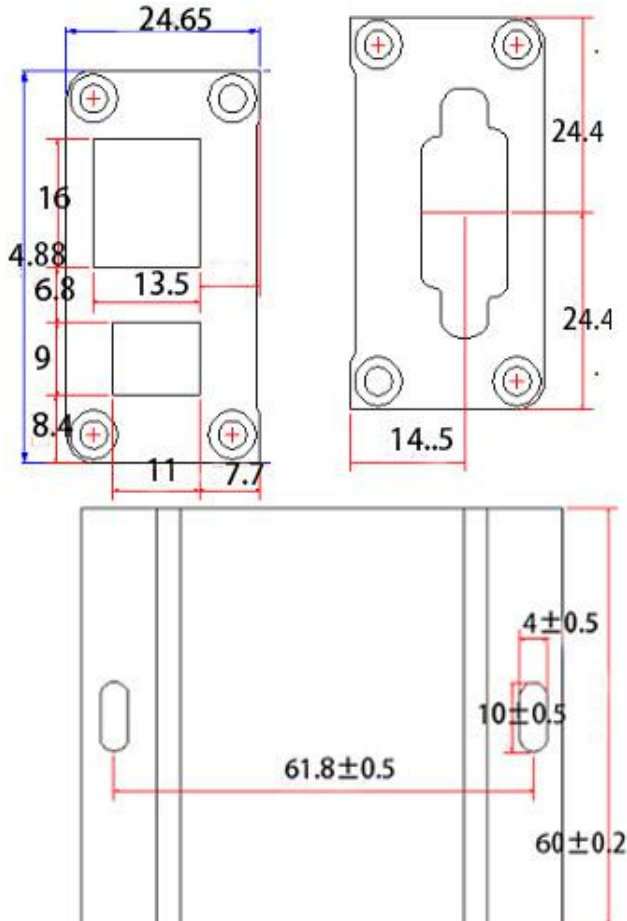
It is a data transparent transmission equipment for converting TCP or UDP socket data to serial RS485.

It has characters of low price, low power consumption, 32 bits ARM on board, high speed and high stability.

USR-TCP232-204 Features

- ◎10/100M auto detect interface, 5 V RS485 level
- ◎Support AUTO MDI/MDIX , Can use a crossover cable or parallel cable connection
- ◎Work model : TCP Server /TCP Client /UDP Server /UDP Client
- ◎Network protocol : ETHERNET /ARP/ IP /UDP/ TCP /ICMP
- ◎32 bits ARM CPU inside
- ◎Unique heartbeat package mechanism to ensure connection is reliable , put an end to connect feign death.
- ◎Can work in LAN, also can work on the Internet
- ◎Across the gateway, across switches, routers.
- ◎Under UDP mode, Packet Broadcast is prohibited , with stronger anti-interference ability.
- ◎Virtual serial port supported

USR-TCP232-204 Size(Unit : mm)



Specification

System information

Processor	ARM
Flash	32K byte

Ethernet

Port Number	1
Interface Standard	4 Pin RJ45
Rate	10/100 Mbps, MDI/MDIX auto switch between cross and direct connection
Buffer	Send : 2K bytes Receive : 1K bytes
Network Protocol	IP / TCP / UDP / ARP / ICMP
Protection	2KV electromagnetism isolation

Serial

Ports	1-Port
Interface	RS485 : Wire A+ B-
Baud Rate	RS485 : 300~460.8K
Data Bits	5, 6, 7, 8
Stop Bit	1, 2
Check Bit	None, Even, Odd, Space, Mark
Flow Control	Null
Buffer	RX : 800 bytes TX : Null
RS-485 Resistor	Pull-up and Pull-Down: 2.2 KΩ

Software

Virtual Serial	Windows 2000 or higher (32 bit/64 bit)
Configuration	Computer set-up software/ Serial command

Parameter

Dimensions	71 x 60 x 25 (mm)
Operating Temp	-25~ 75°C
Storage Temp	-45 ~ 105°C, 5 ~ 95% RH (no condensation)

Power

Input	VDD 5.0~7.0V
Working Current	150mA (Aver) @5V
Consumption	<1W

Accessories

Power Adapter	5V1A
DB9 cable	Null

More

Certificate	CE,FCC
Warranty	2 Years

Jinan USR IOT Technology Limited

Tel: 86-531-88826739

Email: sales@usriot.com

Web: www.usriot.com

Support: h.usriot.com

